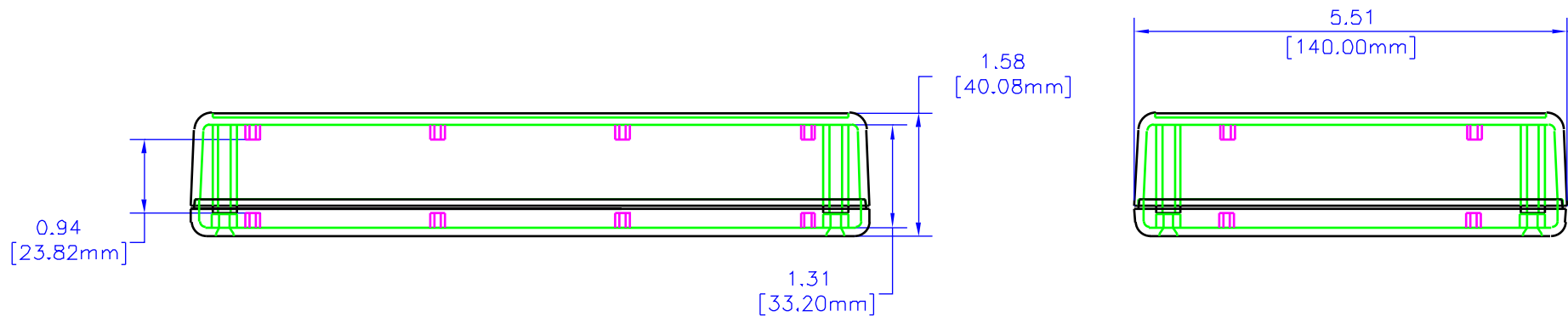
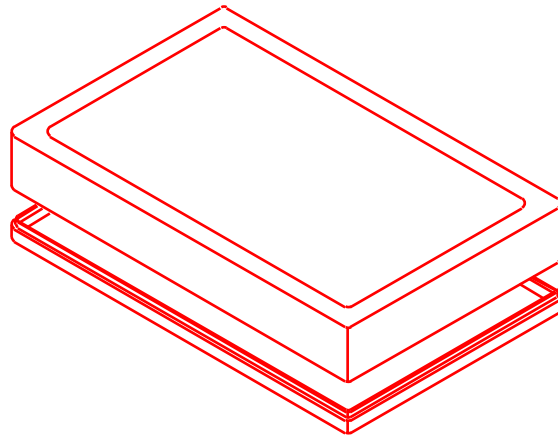


REV	DESCRIPTION	DATE



ASSEMBLED

## NOTES

- MATERIAL** (ABS) FLAME RETARDANT UL94 VO MATERIAL WITH BRASS INSERTS IN CORNER POSTS, (STYRENE) IS NON-FLAME RETARDANT WITHOUT BRASS INSERTS.
- PARTS** (ABS) VERSION MACHINE SCREWS M3-0.5 x 10mm. REPLACEMENT PN 1591MS100 (100 / BAG). (STYRENE) VERSION SELF TAPPING #4 x 0.5", REPLACEMENT PN 1591TS100 (100 / BAG).
- COLORS** (ABS) BLACK, & GRAY, (STYRENE) GRAY ONLY.

UNLESS OTHERWISE SPECIFIED  
DIMENSIONS ARE IN INCHES

X	+/- .1
XX	+/- .02
XXX	+/- .010
CUTS	+/- .005
ANGLES	+/- .5 DEG

TOLERANCES  
UNLESS OTHERWISE SPECIFIED

HAMMOND CLAIMS PROPRIETARY RIGHTS TO THE MATERIAL ON THIS DRAWING. IT IS INTENDED TO BE USED AS A REFERENCE FOR DIMENSIONAL INFORMATION ONLY. THIS INFORMATION MAY NOT BE USED TO MANUFACTURE. PLEASE CONTACT WRITTEN PERMISSION FROM HAMMOND MANUFACTURING.



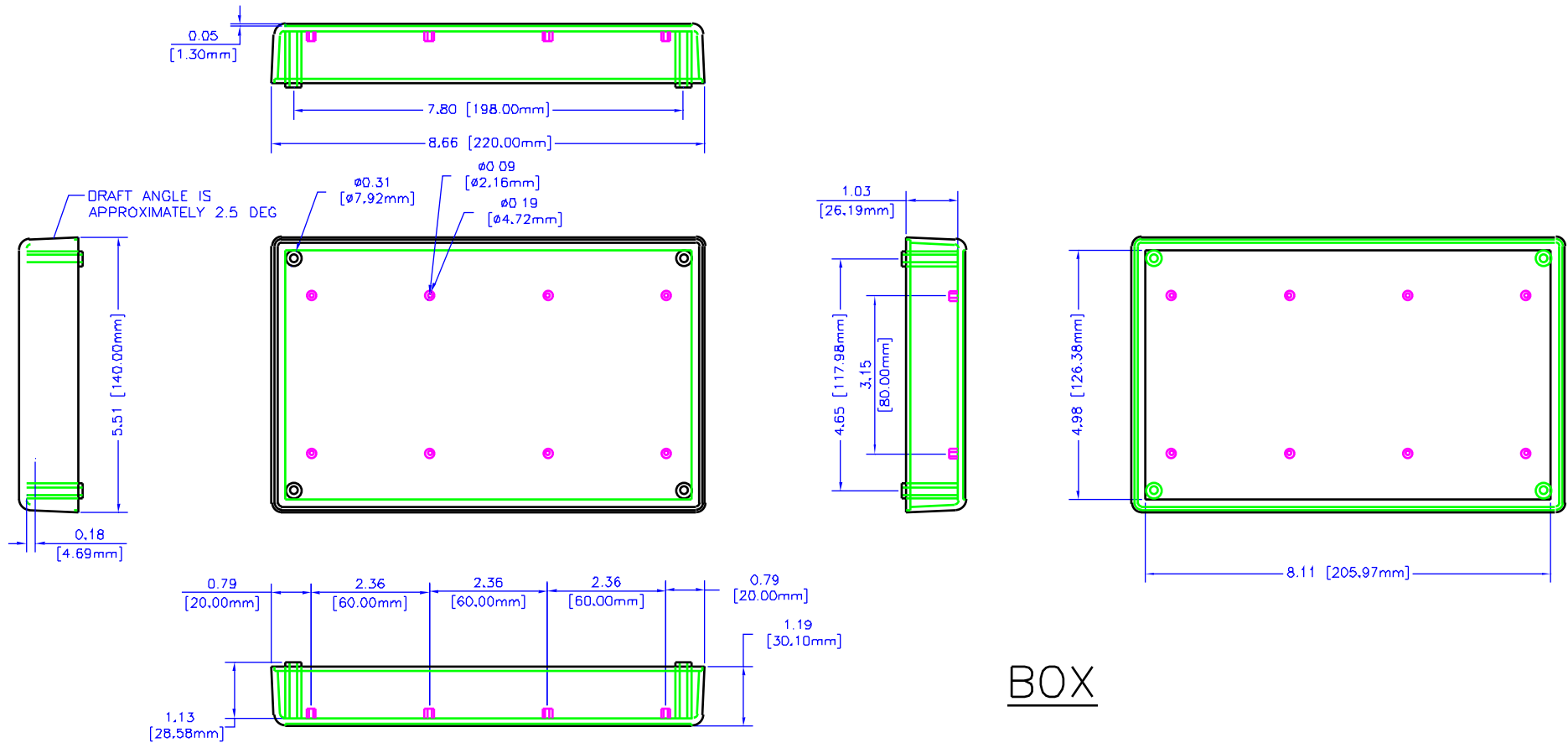
**HAMMOND  
MANUFACTURING**

WEB: [WWW.HAMMONDMFG.COM](http://WWW.HAMMONDMFG.COM)

FILE: HAMMOND 1599 SERIES  
PLASTIC ENCLOSURE

DRAWN BY	MJM	DATE	07/06/01
SCALE		PAGE	1 OF 3
PART NUMBER	1599K		

# NOTES



**BOX**

UNLESS OTHERWISE SPECIFIED DIMENSIONS ARE IN INCHES	
X	+/- .1
XX	+/- .02
XXX	+/- .015
CLIPS	+/- .005
ANGLES	+/- 5 DEG

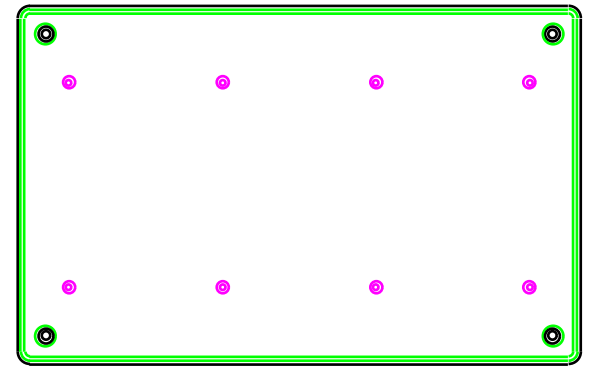
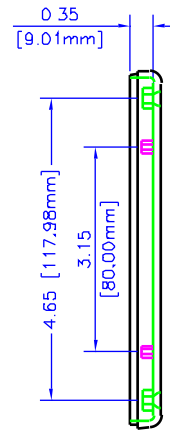
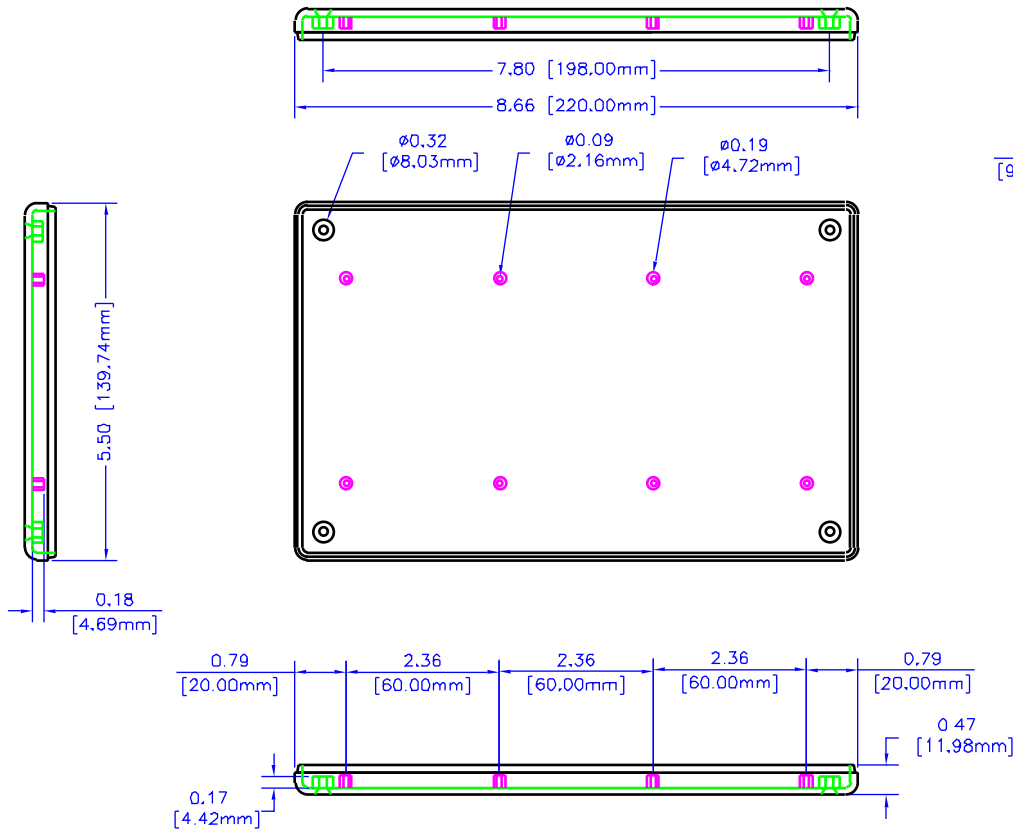


**HAMMOND  
MANUFACTURING**

WEB: [WWW.HAMMONDMFG.COM](http://WWW.HAMMONDMFG.COM)

TITLE		HAMMOND 1599 SERIES PLASTIC ENCLOSURE	
DRAWN BY	MJM	DATE	07/06/01
SCALE		PAGE	2 OF 3
PART NUMBER		1599K	

# NOTES



LID

UNLESS OTHERWISE SPECIFIED	
DIMENSIONS ARE IN INCHES	
XX	+/- .1
XX	+/- .02
XXX	+/- .015
CLIPS	+/- .005
ANGLES	+/- 5 DEG
NOTE	
HAMMOND CLAIMS PROPRIETARY RIGHTS TO THE MATERIAL ON THIS DRAWING. IT IS INTENDED TO BE USED AS A REFERENCE FOR ENGINEERING INFORMATION ONLY. THIS INFORMATION MAY NOT BE USED TO MANUFACTURE PRODUCT WITHOUT WRITTEN PERMISSION FROM HAMMOND MANUFACTURING.	



**HAMMOND  
MANUFACTURING**

WEB: [WWW.HAMMONDMFG.COM](http://WWW.HAMMONDMFG.COM)

TITLE		HAMMOND 1599 SERIES PLASTIC ENCLOSURE	
DRAWN BY	MJM	DATE	07/06/01
SCALE		PAGE	3 OF 3
PART NUMBER	1599K		